

DESCRIPTION

The H7 recessed housings are the standard in the industry for both commercial and residential applications. The wide variety of trims available allows a number of different lighting effects to be created with one basic housing. The H7ICTNB is designed for installations where the housing will be in direct contact with insulation.

APPLICATION

The H7ICTNB is designed to save installation time. It is designed without a socket plate for use with socket supporting trims only. With these trims there is no need to spend time removing the socket from the socket plate and the socket plate from the housing.

DESIGN FEATURES

A...Housing

Aluminum construction for greater heat dissipation.

B...Plaster Frame

Housing adjusts in plaster frame to accommodate up to 1-3/4" ceiling thickness. Plaster frame features include:

- Regressed locking screw for securing hanger bars
- Cutouts for easily crimping hanger bars in position
- Halo name embossed on plaster frame Galvanized steel construction. The housing can be removed from plaster frame to provide access to the junction box.

C...Junction Box

Junction box features include:

- Listed for through branch circuit wiring
- Positioned to accommodate straight conduit runs
- Seven 1/2" trade size conduit knockouts with true pry-out slots
- Slide-N-Side™ connectors allow non-metallic sheathed cable to be installed without tools and without removing

knockouts. Accepts a wider range of non-metallic sheathed cable – the standard cable types used in lighting for both U.S. and Canada.

- Allows wiring connections to be made outside the junction box
- Simply insert the cable directly into the trap after connections are made
- accommodates the following standard non-metallic sheathed cable types: (US) #14/2, #14/3, #12/2, #12/3 (Canada) #14/2, #14/3, #12/2

D...GOT NAIL! Pass-N-Thru™ Bar Hangers

Bar Hanger Features include:

- Pre-installed nail easily installs in regular lumber, engineered lumber and laminated beams
- Safety and guidance system prevents snagging, ensures smooth straight nail penetration and allows bar hangers to be easily removed if necessary.
- Automatic levelling flange aligns the housing and lets you hold the housing in place with one hand while driving nails
- Housing can be positioned at

Catalog #	Type
Project	
Comments	
Prepared by	Date



H7ICTNB

6" Insulated Ceiling Recessed Housing No Socket Bracket

6" TRIMS

FOR USE IN INSULATED CEILINGS

FOR DIRECT CONTACT WITH INSULATION

FOR USE WITH SOCKET SUPPORTING TRIMS

This housing is AIR-TITE when used with the following Trims:

- 170PS
- 171PS
- 173PS
- 78PAT
- 30 (All Styles)
- 430 (All Styles)
- ERT712 Series
- ERT713 Series
- ERT725 Series



SLIDE-N-SIDE III JUNCTION BOX

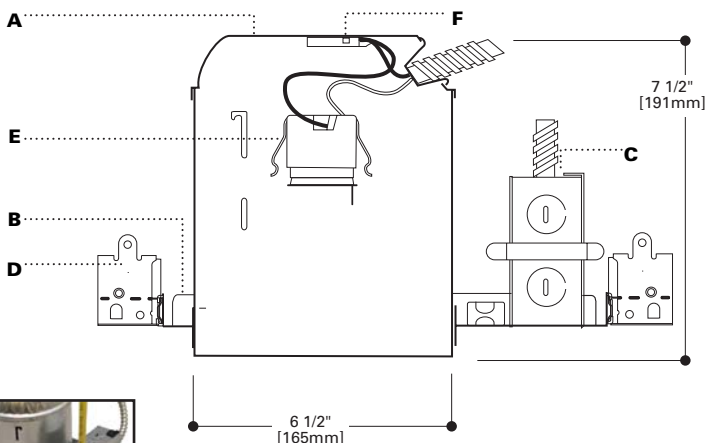
UPGRADE FEATURES:

- SLIDE-N-SIDE™ JUNCTION BOX
- PASS-N-THRU™ BAR HANGERS
- REGRESSED LOCKING SCREW
- HALO ID ON PLASTER FRAME

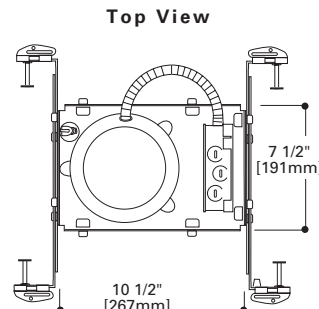
ADV042490

Supersedes ADV031585
ADV023108 & ADV000302
9/04

TAB: Recessed Incandescent
Sheet 21



Slide-N-Side III™ Junction Box



Ordering information on reverse

COOPER LIGHTING

TRIMS

ORDERING INFORMATION

SAMPLE NUMBER: H7ICTNB-30PAT

Order housing, trim and accessories separately.

Housing	Trims	Accessories
---------	-------	-------------

H7ICTNB=AIR-TITE Insulated Ceiling Housing, No Socket Bracket

REFLECTORS



30

AIR-TITE Super Trim
60W A19, 75W PAR30, 75W R30, 65W BR30, 75W PAR30L, 60W PAR38
 30CAT=Specular Clear, Air-Tite
 30RGAT=Residential Gold, Air-Tite
 30HAT=Haze, Air-Tite
 30SNAT=Satin nickel
 OD: 7 1/4" (184mm)



30

AIR-TITE Super Trim
40W A19, 50W PAR30, 75W R30, 65W BR30, 75W PAR30L, 50W PAR38
 30SBAT=Specular Black, Air-Tite
 OD: 7 1/4" (184mm)



404

Specular Reflector
60W A19
 404C=Specular Clear
 404H=Haze Reflector
 404RG=Residential Gold
 404SN=Satin Nickel
 OD: 7 1/4" (184mm)



4041

Self Flanged Reflector
60W A19
 4041P=White
 OD: 7 1/4" (184mm)

BAFFLES



30

AIR-TITE Super Trim
40W A19, 75W R30, 65W BR30, 60W PAR38, 75W PAR30, 75W PAR30L
 30PAT=Black Baffle
 30WAT=White Baffle
 OD: 7 1/4" (184mm)

ADJUSTABLES



74

Eyeball
75W PAR30
 74P=White Eyeball
 OD: 8" (203mm)



77

Eyeball
50W R20
 77P=White Eyeball
 OD: 8" (203mm)



78

Eyeball
75W R30
 78P=White Eyeball
 78SL=Silver Eyeball
 78B=Brass Eyeball
 78PB=Polished Brass Eyeball
 78SN=Satin Nickel
 78PAT=White Eyeball (converts H7ICT and H7RICT to AIR-TITE Construction)
 OD: 8" (203mm)



420

Coilex Regressed Eyeball
50W PAR30L, 60W BR30
 420P=Black Baffle, White Eyeball
 420PB=Black Baffle, Polished Brass Eyeball
 420W=White Baffle, White Eyeball
 OD: 7 1/4" (184mm)

DIFFUSERS



170

Glass Albalite Lens
40W A19
 170P=White Trim Ring
 170PS=White Trim Ring, Shower Light
 OD: 8" (203mm)



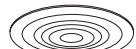
171

Plastic Drop Opal
40W A19
 171P=White Trim Ring
 171PS=White Trim Ring, Shower Light
 OD: 8" (203mm)



172

Shower Light
60W A19, 50W PAR30
 172PS=White Trim Ring, Shower Light
 172SNS=Satin Nickel Trim Ring, Shower Light
 OD: 7 3/4" (197mm)



173

Glass Fresnel Lens
40W A19
 173P=White Trim Ring
 173PS=White Trim Ring, Shower Light
 OD: 8" (203mm)

OPEN TRIMS



300

Open
75W R30, 75W PAR30, 75W PAR30L, 65W BR30
 300P=White
 300SN=Satin Nickel
 OD: 7 1/4" (184mm)



327

Splay Trim with Integral socket Support
65W BR30, 75W PAR30, 75W PAR30L
 327P=White Splay
 OD: 7 1/4" (184mm)

WALL WASH



430

Baffle Wall Wash
40W A19
 430P=Black Baffle, White Scoop, White Trim Ring
 430W=White Baffle, White Scoop, White Trim Ring
 OD: 7 1/4" (184mm)

Metal Trim Rings

Compatible with 404
TRM6P=White Metal
TRM6PB=Polished Brass
TRM6C=Chrome
TRM6MB=Black Metal
TRM6SL=Silver
TRP7MB=Black Plastic
TRM6SN=Satin Nickel

Oversize Trim Rings

For use when ceiling opening is cut too large. Compatible with 404.
OT400P=9 1/4" White Metal
OT403P=8" White Plastic

Note: Specifications and Dimensions subject to change without notice.

Visit our web site at www.cooperlighting.com