

COOPER LIGHTING - METALUX®

DESCRIPTION

The STN Series is a functional and multi-purpose medium duty strip family that incorporates premium performance and construction durability. The performance and application versatility of this series can be increased by incorporating symmetrical or asymmetrical reflectors. The STN Series can be installed using various mounting methods and numerous options and accessories are available.

The STN Series can be the illumination solution in commercial, industrial, retail and residential applications. Fixtures can be used in storage/utility areas, coves, display cases, shops, task and general area lighting.

SPECIFICATION FEATURES

A ... Construction

Channel die formed code gauge prime cold rolled steel. Deep V-Groove for tong hanger. Numerous KOs for ease of installation. Die formed channel connector, sleeve type, assures straight rows and continuity of ground through set screws. Lampholder mounting brackets easily installed with snap-in action. Channel/wireway cover secured with quarter-turn fasteners.

B ... Electrical*

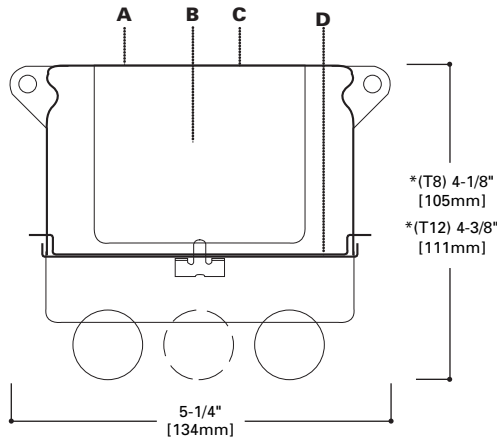
Ballasts are CBM/ETL Class "P" and are positively secured by mounting bolts. Spring loaded lampholders. UL/CUL listed. Suitable for damp locations.

C ... Finish

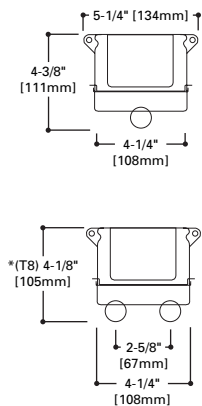
Multistage, iron phosphate pretreatment ensures maximum bonding and rust inhibitor. Lighting grade, baked white enamel finish.

D ... Channel/Wireway Cover

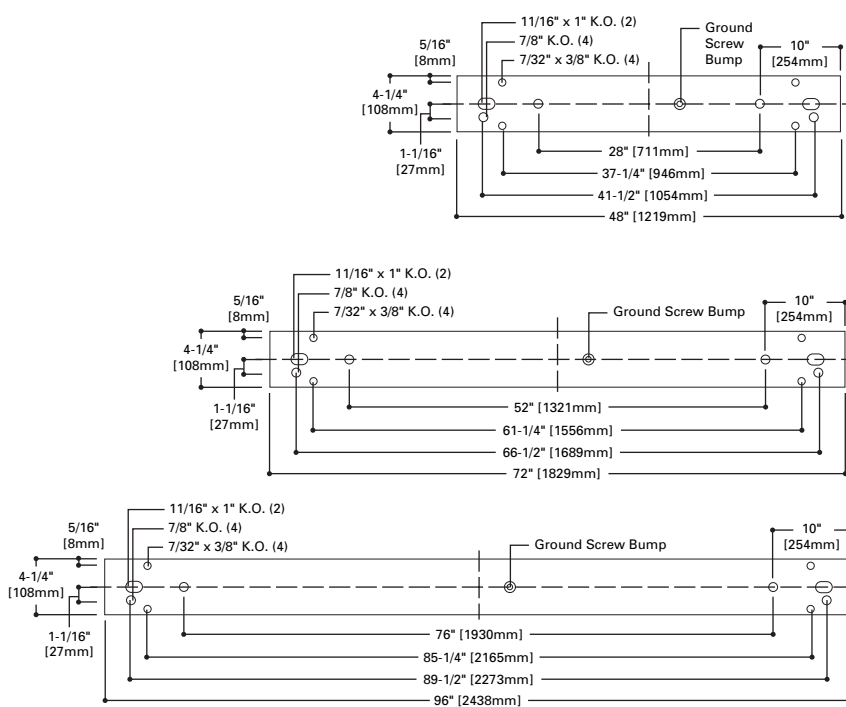
Die formed heavy gauge steel. Tight fit for ease of maintenance. Easily removed without use of tools.



LAMP CONFIGURATIONS



MOUNTING DATA



STN
148HO
172HO, 196HO
248HO, 272HO
296HO, 148T8HO
248T8HO, 172T8HO
272T8HO, 296T8HO

4', 6' OR 8' STRIP
1 LAMP
4', 6' OR 8' STRIP
2 LAMP
HIGH OUTPUT
800 MA
Medium-Duty Striplight

ENERGY DATA

Input Watts:
EB Ballast & STD Lamps
248T8HO (99), 272T8HO (147)
272HO (169), 296HO (208)
296T8HO (160)

ES Ballast & STD Lamps
272HO (200), 296HO (237)

STD Ballast & STD Lamps
148HO (82)
172HO (120), 196HO (145)
248HO (145), 272HO (220)
296HO (257)

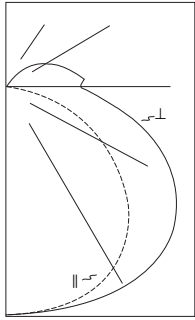
Luminaire Efficacy Rating
LER = FS-60
Catalog Number: STN-296HO
Yearly Cost of 1000 lumens,
3000 hrs at .08 KWH= \$4.00

*Reference the lamp/ballast data in the Technical Section for specific lamp/ballast requirements.

LAMPS CONTAIN MERCURY. DISPOSE ACCORDING TO LOCAL, STATE OR FEDERAL LAWS

LINEAR DISCONNECT
Safe and convenient means of disconnecting power





STN-296HO
Standard Ballast
F96T12/CW/HO/WM
Lamps
8000 Lumens

Spacing criterion:
(ll) 1.3 x mounting
height, (⊥) 1.6 x
mounting height
Efficiency 88.6%

Test Report:
STN296HO.IES

LER = FS-60

Yearly Cost of 1000
lumens, 3000 hrs at
.08 KWH = \$4.00

Coefficients of Utilization

rc	Effective floor cavity reflectance																	
	80%				70%				20%									
rw	70	50	30	10	70	50	30	10	50	30	10	50	30	10	50	30	10	0
RCR																		
0	101	101	101	101	97	97	97	97	89	89	89	82	82	82	75	75	75	72
1	90	85	80	76	86	81	77	73	74	71	69	68	65	63	62	60	58	55
2	81	72	65	59	77	69	63	57	63	58	54	58	54	50	53	49	46	43
3	73	63	54	48	69	60	52	47	55	49	44	50	45	41	46	42	38	35
4	66	55	46	40	63	52	45	39	48	41	36	44	38	34	40	36	32	29
5	61	48	40	34	57	46	39	33	43	36	31	39	33	29	36	31	27	25
6	56	43	35	29	53	41	34	28	38	31	27	35	29	25	32	27	23	21
7	51	39	31	25	49	37	30	24	34	28	23	32	26	22	29	24	21	18
8	48	35	27	22	45	34	27	22	31	25	20	29	23	19	27	22	18	16
9	44	32	25	20	42	31	24	19	29	23	18	27	21	17	25	20	16	14
10	41	30	22	18	40	28	22	17	26	20	16	25	19	15	23	18	15	13

Zonal Lumen Summary

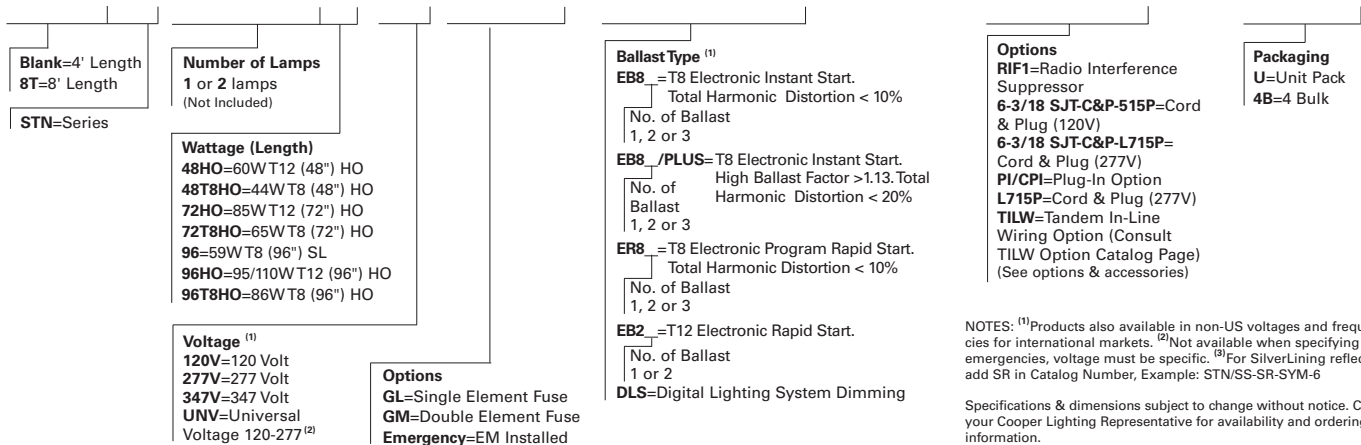
Zone	Lumens	%Lamp	%Fixture
0-30	2236	14.0	15.8
0-40	3820	23.9	27.0
0-60	7503	46.9	53.0
0-90	11508	71.9	81.2
90-180	2662	16.6	18.8
0-180	14169	88.6	100.0

Candela

Angle	Along ll	45°	Across ⊥
0	2702	2702	2702
10	2674	2682	2769
20	2532	2667	2831
30	2300	2603	2859
40	1991	2486	2825
50	1606	2283	2701
60	1159	2005	2436
70	674	1622	2023
80	228	1154	1564
90	0	749	1155
100	0	757	1221
110	0	628	1047
120	0	489	858
130	0	362	650
140	0	213	453
150	0	103	260
160	0	20	94
170	0	0	0
180	0	0	0

ORDERING INFORMATION

SAMPLE NUMBER: STN-296HO-120V-EB81-U



ACCESSORIES

- (Order Separately)
- A1B=Spacer
 - GRP-STN=Gripper Hanger (Use 2 Per Fixture)
 - AYC-Chain/Set=36" Chain Hanger (Use 1 Set Per Fixture)
 - SCF=Fixed Stem Set (Specify Length)
 - SCS=Swivel Stem Set (Specify Length)
 - ATG-4=Tong Hanger (Use 2 Per Fixture)
 - DI2=Long Connector
 - STN/SS-ASY-3⁽³⁾=3" Asymmetric Reflector (Specify 2', 3', or 4')
 - STN/SS-ASY/REV-3⁽³⁾=3" Asymmetric Reverse Reflector
(Specify 2', 3', or 4')
 - STN/SS-SYM-6⁽³⁾=6" Symmetric Reflector (Specify 2', 3', or 4')
 - STN/SS-ASY-6⁽³⁾=6" Asymmetric Reflector (Specify 2', 3', or 4')
 - IC-4FT-REFL⁽³⁾=12" Symmetric Reflector
 - WG/SS-4FT=Wire Guard

(Additional Accessories Available. See Options and Accessories Section.)

SHIPPING INFORMATION

Catalog No.	Wt.
STN-148HO ¹	15 LBS.
STN-172HO ¹	21 LBS.
STN-196HO ¹	24 LBS.
STN-248HO ¹	15 LBS.
STN-272HO ¹	21 LBS.
STN-296HO	24 LBS.