

DESCRIPTION

The W Series wraparound features economy and energy efficient performance. The luminaire's characteristic clean, low profile design is both appealing and practically functional. The W Series utilizes a clear, low brightness, extruded acrylic refractor and a heavy gauge steel end plate with embossed light seal for dependable performance and good looks.

APPLICATION

The efficient and economical W Series is the perfect wraparound for commercial spaces, schools, dormitories, offices and retail areas.

SPECIFICATION FEATURES

A... Construction

Housing die formed code gauge prime cold rolled steel. Six full length ribs for strength. Ballast cover easily removed without tools. Steel end plates with 7/8" KO and light-seal embossment. Couplers for continuous row mounting.

B... Electrical *

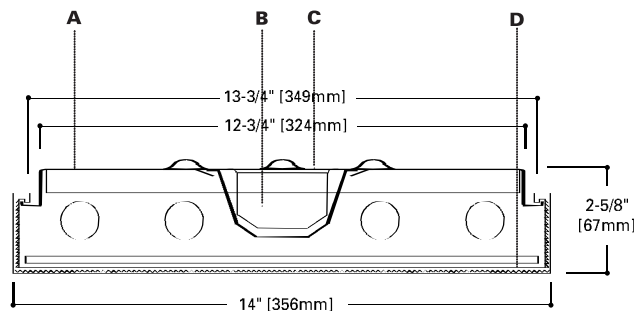
Ballasts are CBM/ETL Class "P" and are positively secured by mounting bolts. Pressure lock lampholders. UL/CUL listed. Suitable for damp locations.

C... Finish

Multistage, iron phosphate pre-treatment ensures maximum bonding and rust inhibitor. Lighting grade, baked white enamel finish.

D... Frame/Shielding

100% clear virgin acrylic prismatic refractor/lens. Sides have inside linear prisms and bottom has pyramidal prisms for low brightness control. Lens can be hinged from either side in a lift and shift manner.

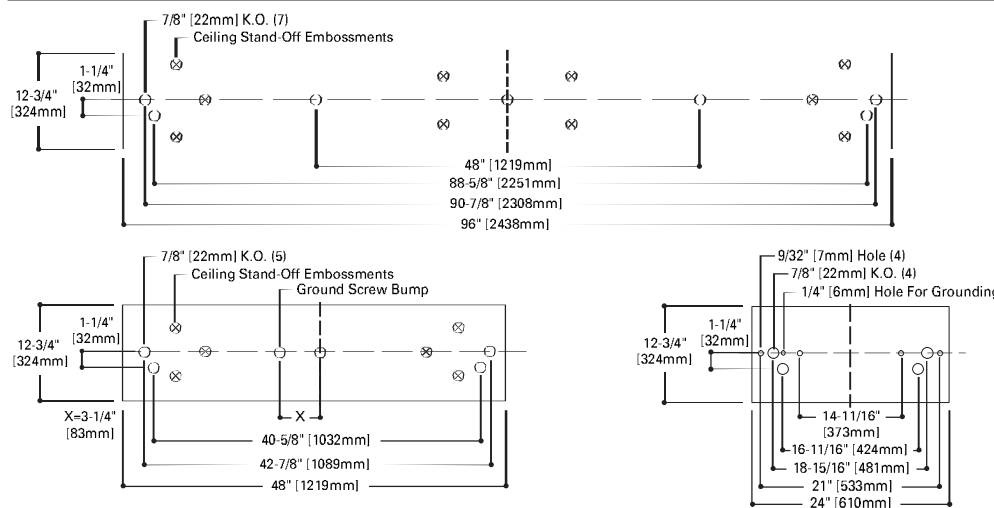


W420
417
440
432

2' SURFACE
4 LAMPS LTS OR HTS
4' OR 8' SURFACE
4 LAMPS

Commercial Wrap

MOUNTING DATA



ENERGY DATA

Input Watts:
EB Ballast & STD Lamps
 417 (72)
 440 (144)
 432 (122)

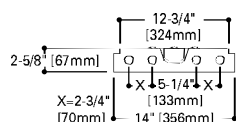
ES Ballast & STD Lamps
 420 (116)
 417 (90)
 440 (172)
 432 (142)

Luminaire Efficacy Rating
LER = FW-71
Catalog Number: W-432A

Yearly Cost of 1000 lumens,
3000 hrs at .08 KWH = \$3.38

*Reference the lamp/ballast data in the Technical Section for specific lamp/ballast requirements.

LAMP CONFIGURATIONS



LIFT & SHIFT REFRACTOR

Easily Removed. Hinges Either Side
 (Not Recommended For Sloped Ceiling Applications.)

