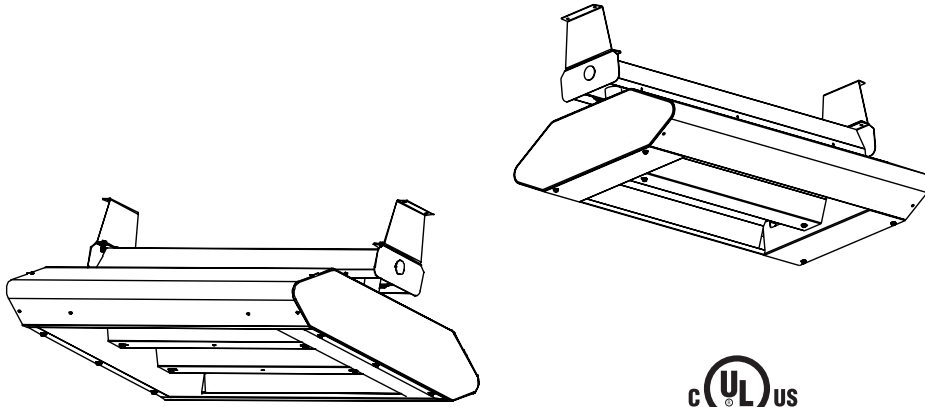


**SUBMITTAL SHEET
TYPE VRP / VRS
2 Element & 3 Element
INFRARED HEATERS**

TYPE VRP / VRS - 2 Element & 3 Element INFRARED HEATERS



Type VRP- 20 gauge galvaneal steel enclosure and heater support/ wiring compartment painted in a Statuary Bronze high temperature powder coat finish.

Type VRS- Type 304, brush finished, 20 gauge, stainless steel enclosure and heater support/ wiring compartment for applications requiring additional corrosion resistance.



File #E21609

ITEM	QTY.	CATALOG NUMBER	TAG	LENGTH	NO. OF ELE.	ELEMENT TYPE	WATTS	VOLTS	Ø	AMPS

ACCESSORIES AND CONTROLS

ITEM	QTY.	CAT. NO.	TAG	DESCRIPTION

SUBMITTED BY:	DATE	APPROVED BY:	DATE

SELECTION CHART – 2 ELEMENT ENCLOSURE

CATALOG NO.		DIMENSIONS			MAXIMUM WATTAGE				
STAINLESS STEEL ENCLOSURE	PAINTED STEEL ENCLOSURE	REFLECTOR ANGLE	HEIGHT IN. (MM)	WIDTH IN. (MM)	LENGTH IN. (MM)	METAL SHEATH	QUARTZ TUBE	QUARTZ LAMP	WT. lbs. (Kg)
VRS2-23S VRS2-26S VRS2-26AS VRS2-29S	VRP2-23S VRP2-26S VRP2-26AS VRP2-29S	30 Sym 60 Sym 60 Asym 90 Sym	7.125(181)	15(381)	24(610)	1700	2000	3200	19(8.6)
VRS2-33S VRS2-36S VRS2-36AS VRS2-39S	VRP2-33S VRP2-36S VRP2-36AS VRP2-39S	30 Sym 60 Sym 60 Asym 90 Sym			33(838)	3000	3000	5000	24(10.9)
VRS2-43S VRS2-46S VRS2-46AS VRS2-49S	VRP2-43S VRP2-46S VRP2-46AS VRP2-49S	30 Sym 60 Sym 60 Asym 90 Sym			46(1168)	4000	4000	7300	31(14.1)

(Enclosure only - Select appropriate element from element selection chart)

SELECTION CHART – 3 ELEMENT ENCLOSURE

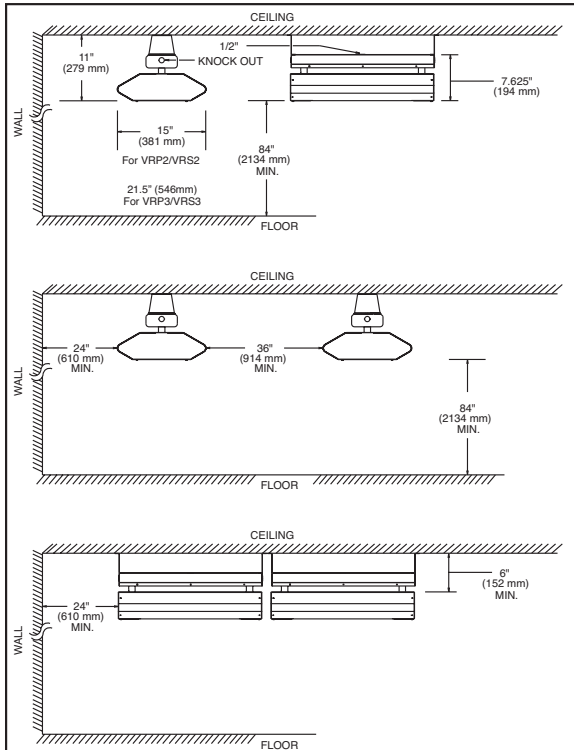
CATALOG NO.		DIMENSIONS			MAXIMUM WATTAGE				
STAINLESS STEEL ENCLOSURE	PAINTED STEEL ENCLOSURE	REFLECTOR ANGLE	HEIGHT in. (mm)	WIDTH in. (mm)	LENGTH in. (mm)	METAL SHEATH	QUARTZ TUBE	QUARTZ LAMP	WT. lbs. (kg)
VRS3-23S VRS3-26S VRS3-26AS VRS3-29S	VRP3-23S VRP3-26S VRP3-26AS VRP3-29S	30 Sym 60 Sym 60 Asym 90 Sym	7.125(181)	21.5(546)	24(610)	2550	3000	4800	19(8.6)
VRS3-33S VRS3-36S VRS3-36AS VRS3-39S	VRP3-33S VRP3-36S VRP3-36AS VRP3-39S	30 Sym 60 Sym 60 Asym 90 Sym			33(838)	4500	4500	7500	24(10.9)
VRS3-43S VRS3-46S VRS3-46AS VRS3-49S	VRP3-43S VRP3-46S VRP3-46AS VRP3-49S	30 Sym 60 Sym 60 Asym 90 Sym			46(1168)	6000	6000	10950	31(14.1)

(Enclosure only - Select appropriate element from element selection chart)

APPLICATION LIMITATIONS and PRECAUTIONS:

- Hazardous Atmosphere – These heaters are not suitable for use in hazardous locations.
- Mounting Clearances – Maintain minimum clearances of:
 - 24" (610 mm) to vertical side walls
 - 36" (914 mm) between heaters mounted side by side. Heaters may be mounted end to end.
 - 6" (152 mm) to ceiling
 - 84" (2134 mm) to floor.
- Maintain at least 5 ft. (1.5 m), in radiant path, between bottom of heater and combustible material.
- Corrosive Atmospheres – The high quality finish and aluminized steel of the VRP series will give excellent service under normal to severe operating conditions, including coastal salt air and most industrial atmospheres. However for severe conditions such as swimming pool, green houses, etc., the VRS stainless steel enclosure should be used.

ELEMENT SELECTION CHART



CATALOG NO.	AVAILABLE VOLTS	ELEMENT		USED WITH FIXTURE	WT. lbs. (gr)
		WATTS	TYPE		
V2-MS-08-***	208, 240, 277, 347, 480, 600	850	Metal Sheath	24" Fixture VRP2-2** VRP3-2**	1 (454)
V2-QT-10-***	208, 240, 277	1000	Quartz Tube	or VRS2-2** VRS3-2**	1 (454)
V2-QL-16-***	208, 240, 277, 347, 480, 600	1600	Quartz Lamp		1 (454)
V3-MS-15-***	208, 240, 277, 347, 480, 600	1500	Metal Sheath	33" Fixture VRP2-3** VRP3-3**	1 (454)
V3-QT-15-***	208, 240, 277, 347, 480, 600	1500	Quartz Tube	or VRS2-3** VRS3-3**	1 (454)
V3-QL-25-***	208, 240, 277, 347, 480, 600	2500	Quartz Lamp		1 (454)
V4-MS-20-***	208, 240, 277, 347, 480, 600	2000	Metal Sheath	46" Fixture VRP2-4** VRP3-4**	1 (454)
V4-QT-20-***	208, 240, 277, 347, 480, 600	2000	Quartz Tube	or VRS2-4** VRS3-4**	1 (454)
V4-QL-36-***	347, 480, 600	3650	Quartz Lamp		1 (454)

OPTIONAL MECHANICAL ACCESSORIES

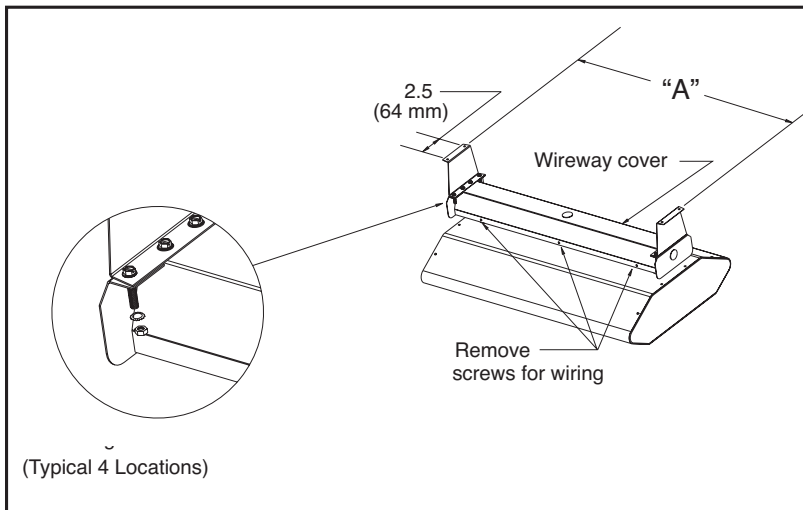
CATALOG NUMBER	DESCRIPTION	CRTN QTY	USED WITH FIXTURE	WT. lbs. (gr)
VWG22 VWG23 VWG24	Wire Guard Protective safety screen helps prevent objects coming in contact with hot element.	1	VRS22 / VRP22	1 (454)
VWG32 VWG33 VWG34			VRS23 / VRP23	1.5 (680)
			VRS24 / VRP24	2 (907)
			VRS32 / VRP32	1.5 (680)
	VRS33 / VRP33	2 (907)		
	VRS34 / VRP34	2.5 (1134)		
VRP-ATMB VRS-ATMB	Adjustable Tilt Mounting Bracket Replaces upper support bracket, allows fixture to be tilted for precise pattern location in spot heating and perimeter applications.	1 Set	VRP Series VRS Series	1 (454)
VRVS-2 VRVS-3 VRVS-4	Red Vycor Sleeve Reduces the light intensity of Quartz Lamps.	1	33" Encl. 42" Encl.	24" Encl. 1 (454)

CATALOG NO.	DESCRIPTION	CARTON QTY	USED WITH FIXTURE	WT. lbs. (gr)
VRP-WMB VRS-WMB	Wall Mounting Bracket - Allows heater mounting along wall at optimum application height.	1 Set	VRP Series VRS Series	2 (907)

OPTIONAL ELECTRICAL ACCESSORIES

CATALOG NUMBER	DESCRIPTION	MAX AMPS	SUPPLY VOLTAGE	CONTROL VOLTAGE*	CONTROL PANEL DIMENSIONS	SHIP. WEIGHT
CP404801PT	Percentage Timer Panel, One 3 pole contactor	40A	208 - 480V	120V	12"H X 12"W X 7.5"D	45 lbs
CP404801CT	Time Delay Controller, One 3 pole contactor	40A	208 - 480V	120V	12"H X 12"W X 7.5"D	45 lbs
CP504801	Single 3 pole Contactor Panel	40A	208 - 480V	120V	12"H X 12"W X 7.5"D	45 lbs
CP1004801	Two 3 pole Contactor Panel	100A	208 - 480V	120V	14"H X 15"W X 7.75"D	55 lb
CP2004801	Four 3 pole Contactor Panel	200A	208 - 480V	120V	31.5"H X 18.2"W X 10"D	65 lb
CP3004801	Six 3 pole Contactor Panel	300A	208 - 480V	120V	36"H X 30"W X 7"D	70 lbs

Notes: Line fusing supplied by installer.
 Percentage Timer Panel for Metal Sheath Heaters only.
 Contact factory for 24volt control, 600volt supply, and Nema 4 enclosures.
 NEC requires MAX 50apm fusing for control panel and infrared heating equipment.



MODEL	"A" in. (mm)
VRP*2 / VRS*2	24.625 (625)
VPR*3 / VRS*3	33.625 (854)
VRP*4 / VRS*4	46.625 (1184)

* 2 for 2 Element Enclosure
 * 3 for 3 Element Enclosure

Architect's and Engineer's Specifications *

Furnish and install where indicated on the plans, Type VRP or Type VRS Two or Three Element Infrared Heaters as manufactured by Berko, A Marley Engineered Products Brand, Bennettsville, SC, USA.

Heaters shall be UL / cUL Listed and designed for indoor (surface) or outdoor mounting. All capacities, voltages, physical sizes and options shall be as specified in the heater schedule. All 2 element heaters shall be single phase, all 3 element heaters shall be three phase.

Enclosure (including heater support/wiring compartment) shall be: a) 20-gauge galvaneal steel, painted in a Statuary Bronze high temperature powder coat finish (Type VRP), or b) 20-gauge type 303 stainless steel with a brush finish (Type VRS), with length as specified in the heater schedule. Fittings shall be rigid aluminum.

Construction shall be a two piece design that allows one person installation of the upper mounting support separately, to allow rough-in wiring. The heater section shall be constructed with tabs specifically designed for connection to the upper mounting support, by one person, for finish wiring. The heater section shall swing into the closed position and be secured to the upper mounting support by two screws, three screws on 46" (1168 mm) units, to complete the installation.

Reflectors shall be one piece, snap-out, minimum .030 bright polished anodized aluminum with a beam angle of 30, 60 or 90 degree symmetrical, or 60 degree asymmetrical as specified in the heater schedule.

Elements shall be metal sheath, quartz tube or quartz lamp, as specified in the heater schedule, radiant heating type that transmit infrared rays generated by the heavy duty coiled element inside. The quartz tube shall have high thermal shock characteristics that make it exceptionally well suited for outdoor use with exposure to the elements. Elements shall be equipped with pigtail leads for more positive connections in severe conditions.

The following Field Installed Optional Equipment shall be supplied –

- ___ Steel Wire Guard
- ___ Tilt Adjust Mounting Bracket
- ___ Wall Mounting Bracket
- ___ Red Vycor Sleeves for Quartz Lamp Elements
- ___ Gold Anodized Aluminum Reflectors
- ___ Wall Mounted Thermostat
- ___ Electric Control Panel
- ___ Percentage (Input) Controller

* Subject to change without notice.