

INSTALLATION AND MAINTENANCE INSTRUCTIONS

IMPORTANT: Read Carefully Before Installing Fixture.

Retain For Future Reference

General: Upon receipt of fixture thoroughly inspect for any freight damage, which should be brought to the attention of the delivering carrier. Compare the catalog description listed on the packing slip with the fixture label on the housing to assure you have received the correct merchandise.

Safety: This fixture must be wired in accordance with national electrical code and applicable local codes and ordinances. Proper grounding is required to insure personal safety. Carefully observe grounding procedure in installation section. All work should be done by a qualified electrician.



IMI-131

WARNING: Make certain power is OFF before starting installation or attempting any maintenance.

WAL WALL OR POLE MOUNTED AREA LUMINAIRE FOR H.I.D. LAMPS

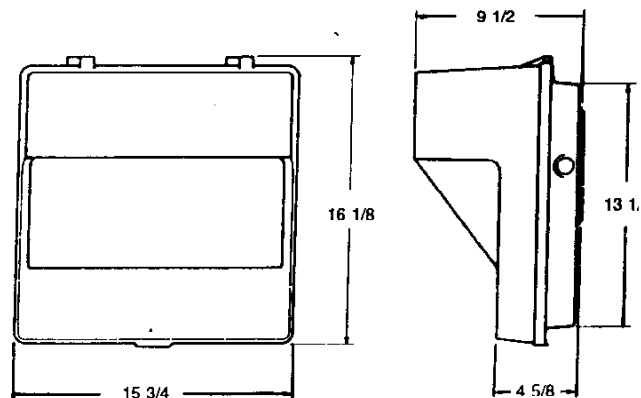
WAL Luminaires are designed to withstand vandalism indoors or out, and provide good light control and distribution. They may be mounted on a vertical wall or a round pole.

OPTIONS

PHOTOCONTROL - Catalog suffix - PH

The photocontrol option is supplied prewired and installed on one side of the die-cast base. The photocontrol should preferably face north (away from the rising or setting sun). It should also face away from any other bright objects (floodlights, etc.).

If it is determined that the photocontrol will not face the desired direction, it may be relocated to the opposite side of the unit by unscrewing the photocontrol mounting nut and remounting on the cast-in bracket on the opposite side. It is not necessary to disconnect the wiring.



IMPORTANT: All Cooper Lighting products are designed to meet or exceed all applicable safety standards. Cooper Lighting is not responsible for any damage or injury caused by the use of this equipment if the user does not follow the instructions in this manual.

NOTE: If at any time during installation, use or maintenance a defect in this equipment is suspected, a Cooper Lighting representative must be immediately contacted. Any subsequent damage or correction of equipment prior to approval by Cooper Lighting shall void all warranties, expressed or implied.



These instructions do not claim to cover all details or variations in the equipment, procedure or process described, nor to provide directions for meeting every possible contingency during installation, operation or maintenance. When additional information is desired to satisfy a problem not covered sufficiently for user purpose, please contact your nearest Cooper Lighting representative.

Using surface conduit kit ML5619, assemble hubs as shown in figure 3 and install conduit in usual manner.

Follow steps 4 and 5 above and secure luminaire to wall with three (3) screws.

Complete installation following steps 9 through 13.

POLE INSTALLATION -on Square Poles-

(See Figure 4.)

- A. Follow steps 1 and 2 above.
- B. Punch out three (3) knockouts C in back of die-cast base. See Figure 1.
- C. From square pole installation kit, ML5621, take the nut plate, the two (2) lock washers and the two (2) 1/2" bolts. Line up the three (3) punched out knockouts in the die casting with the three (3) holes at the top of the pole. Holding the nut plate inside the pole, insert one bolt through a lock washer, then the top hole and thread it into the nut plate.
- D. Repeat above with other bolt in bottom hole. Tighten bolts securely.
- E. Insert three (3) 18" wires from kit through wire hole, between the two mounting bolts and up through the top of the pole.
- F. Connect white wire to common lead from ballast and black wire to the wire marked with line volts from ballast. Connect green wire to green screw located to right of wire hole.

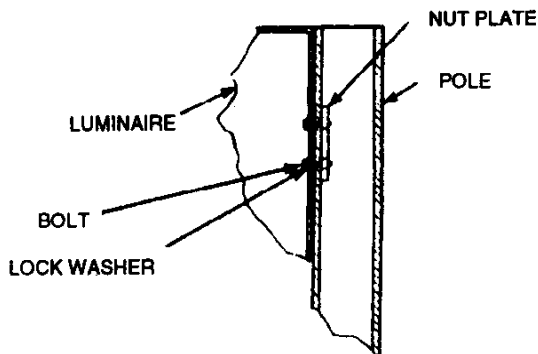


FIGURE 4

- G. Make field connection at top of pole in accordance with applicable codes.

NOTE: In addition to code compliance, it is recommended that all leads be bunched, a zip loop formed (so that water cannot collect at wire connections) and ends be twisted to serve as strain relief for connections.

- H. Push leads down into pole, squeeze spring clips of cover slightly and snap cover onto top of pole.

POLE INSTALLATION -on Round Poles-

(See Figure 5.)

- A. Follow steps A and B above.
- B. From round pole installation kit, ML5622, take a nut and thread it approximately 1" onto end of one of two threaded mounting rods and place a lock washer against the nut.

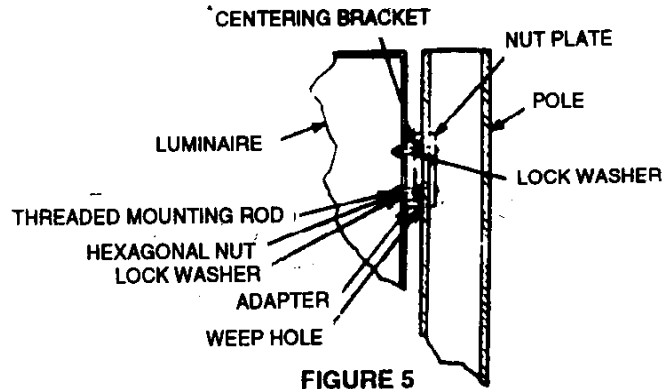


FIGURE 5

- C. Hold nut plate inside top of pole and thread mounting rod through top hole into nut plate until rod is flush with back side of nut.
- D. Repeat this process with second threaded mounting rod in bottom hole.
- E. Tighten nuts and lock washers against pole.
- F. Place adapter section over centering bracket against pole.
- G. Place adapter section over centering bracket making sure weep hole points toward pole base and is against pole.
- H. Place fixture over mounting rods and secure using two (2) nuts and lock washers.
- I. Complete installation by following steps E through H above for square poles.

MULTI-TAP BALLASTS - Catalog suffix - MT

On luminaires with multi-tap ballasts remove the wire connector from the wire marked with the voltage to be supplied and reuse to make connection to line or remove flag lug and reconnect to tab marked with correct voltage.

NOTE: Do not remove wire connectors from other taps.

MAINTENANCE

WARNING: Turn electrical power supply OFF before starting any maintenance.

CLEANING

1. To ensure continued high efficiency of lighting system, lens and reflectors must be cleaned periodically. Cleaning cycle required will depend on local dirt conditions.
2. Reflectors have been finished by the Alzak process. Its high efficiency can be renewed by cleaning at regular intervals with a mild soap or detergent and water, or a liquid cleaner such as Collinite type NCF or Duco #7. Apply only with a clean, damp, soft cloth.

CAUTION: Do not use abrasive, strong alkaline or acid cleaners.

3. Lens will also retain its high transmittance if cleaned regularly with soap or detergent and water or an approved antistatic cleaner for plastic.

HOW TO INSTALL

WARNING: Be certain that power to field wiring has been turned off before starting installation.

WALL INSTALLATION

The unit is designed to be mounted on a wall using 3/8" screws through the die-cast base. It is necessary to partially dismantle the unit for proper mounting.

1. Remove one-piece front cover by easing out molded-in snap catch located at center bottom edge. Hinge up 90° and slide sideways off cast-in hinge pins.

NOTE: Place front cover back in shipping carton until ready to assemble to mounted fixture.

2. Loosen four (4) screws securing reflector assembly and slide sideways off keyholes and lampholder.
3. Punch out four (4) knockouts **A** in back of die-cast base. (See Figure 1.)

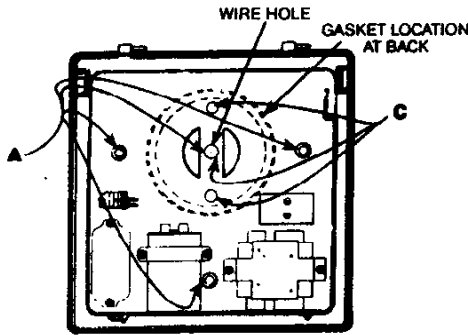


FIGURE 1.

4. Mark three (3) points on the wall at mounting location, using the luminaire base for a pattern.
5. Drill holes for three (3) 3/8" lag screws in wooden wall or drill and place anchors in masonry wall. (Lag screws or anchors not furnished.)
6. Peel paper backing from foam ring gasket (included in carton) and affix to rear of die-cast base inside raised ring, as indicated in Figure 1.
7. Secure luminaire to wall with screws and tighten until foam gasket makes good seal with building.
8. Bring field wires including ground (see label on fixture for wire type) through outlet box (provided and recessed into wall by contractor) and into luminaire through wire hole as indicated in Figure 1.

ALTERNATE: An alternative method requiring 75° C field wire would require punching out two (2) moon-shaped knockouts either side of the wire hole and splicing inside the outlet box.

NOTE: 4" octagonal and 4" square outlet boxes may be additionally secured to the luminaire through appropriate knockouts around the wire hole.

9. Connections to field wires and grounding of fixture must be done in accordance with applicable local and national codes and the wiring diagram shown in Figure 2. Attach around wire to green screw located to the right to the right

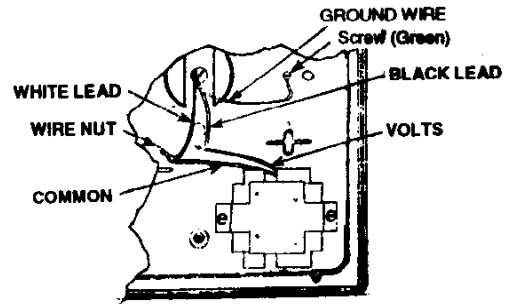


FIGURE 2

10. Replace reflector and tighten screws.

CAUTION: Be certain that wiring is located behind reflector and no wires are in a position where they may be damaged.

11. Install lamp, as specified on nameplate, making sure lamp is securely tightened.

LAMP DESIGNATIONS FOR WAL LUMINAIRE

Cat. No.	Watts	Type	Ordering No.	ANSI No.
WAL 150LHR	150	HPS	LU150/55	S55SC-150
WAL 100LHR	100	HPS	LU100	S54SB-100
WAL 70LHR	70	HPS	LU70	S62ME-70
WAL 175MHP	175	Super MH	MS175/HOR	M57
WAL 175HCW	175	merc.	H175C39/DX39	H39K
WAL 100	100	merc.	H100A38/DX38	H38J/H

NO: ... may be used for luminaires with ... lamps should be used for luminaires with clear.

12. Place front cover, holding it in hinged-up position and sliding sideways onto hinge pins. Lower cover and push shut until molded-in catch snaps into locked position.

CAUTION: Be sure cover is completely on hinge pins before lowering cover.

13. Luminaire is ready to be turned on.

WALL INSTALLATION USING SURFACE CONDUIT

If it is intended to use surface-mounted conduit with a wall installation, follow steps 1 and 2 above.

Then punch out five (5) knockouts **B** in side and back of die-cast base. (See Figure 3.)

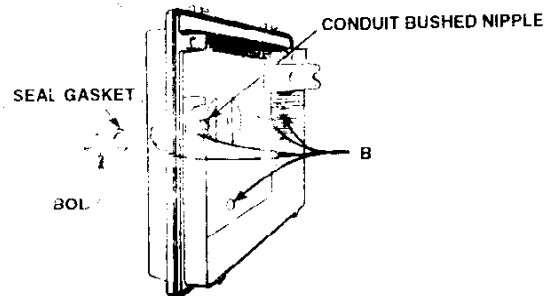


FIGURE 3

RELAMPING

1. Pull down on molded-in catch located at the center of the bottom edge of the front cover, and hinge up.
2. Locate door support along the left edge of the reflector (Figure 6.) Pull support out and insert end into molded-in hole provided inside front cover at bottom edge of lens.

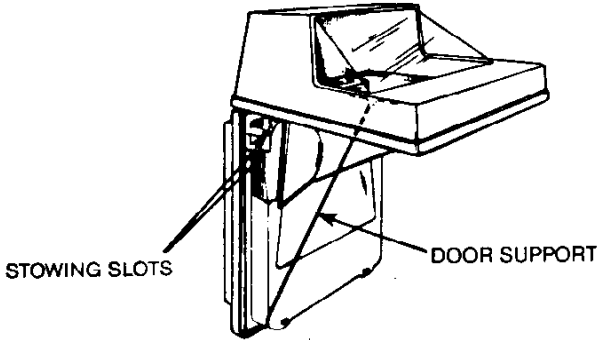


FIGURE 6.

3. Replace lamp with type specified on nameplate. Make sure lamp is securely tightened.
4. Lift cover and stow door stay support in slot provided in die-cast base.
5. Lower front cover and push in at bottom until catch snaps over base lip.

ACCESS TO BALLAST AND FUSE (OPTIONAL)

- A. For access to ballast and fuse, follow steps 1 and 2 under Relamping.
- B. Remove lamp and store in safe place.
- C. Loosen four (4) screws securing reflector assembly and rotate around lampholder until bottom of reflector is held by front cover latch. (See Figure 7.)
- D. Ballast components and optional fuse block are now exposed.
- E. Any ballast component may be removed by disconnecting its wire leads and removing two (2) screws.

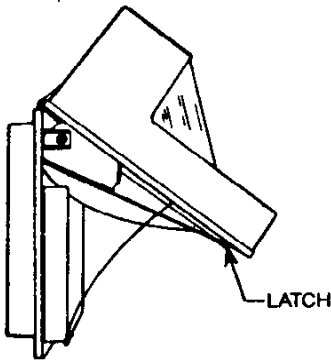
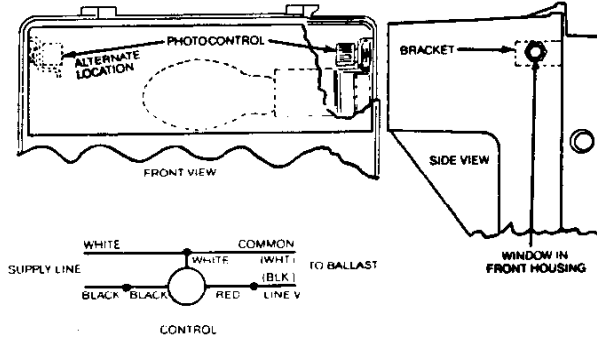


FIGURE 7.

FIELD-INSTALLED PHOTOCONTROL

The photocontrol is to be mounted in one of the two projecting brackets at the upper sides of the rear housing. The control should preferably face north (away from any bright objects, floodlights, etc). After mounting it in the 11/16" diameter hole, peel off the round piece of tape on the inside of the front housing which covers the corresponding circular window in that housing. Make wire connections as shown.

KIT NO.	VOLTS
ML5862	120
ML5863	208-240
ML5864	277



REPLACEMENT PARTS

Part Description	Part Number
Front Cover—Clear	0506988-2
Front Cover—Prismatic	0506988-1
Front Cover—Gasket	0507220-1
Housing Gasket	13B24-1620
Lampholder—Mercury Vapor & High Pressure Sodium	20V09-001
Lampholder—Metal Halide (Super Metalarc)	20V15-003
Door Support	0507116-1
Rear Reflector	0507217-1
Front Reflector	0507216-1
Ballast	For Ballast replacement, contact your local Crouse-Hinds representative. Specify luminaire catalog number.

All statements, technical information and recommendations contained herein are based on information and tests we believe to be reliable. The accuracy or completeness thereof are not guaranteed. In accordance with Crouse-Hinds "Terms and Conditions of Sale," and since conditions of use are outside our control, the purchaser should determine the suitability of the product for his intended use and assumes all risk and liability whatsoever in connection herewith.

THIS INSTRUCTION SHEET SHOULD BE GIVEN TO PERSON RESPONSIBLE FOR SUPERVISING MAINTENANCE OF THIS SYSTEM AND SHOULD BE FILED FOR FUTURE USE.



CROUSE-HINDS LIGHTING

Using surface conduit kit ML5619, assemble hubs as shown in Figure 3 and install conduit in usual manner.

Follow steps 4 and 5 above and secure luminaire to wall with three (3) screws.

Complete installation following steps 9 through 13.

POLE INSTALLATION—on Square Poles—

(See Figure 4.)

- A. Follow steps 1 and 2 above.
- B. Punch out three (3) knockouts **C** in back of die-cast base. See Figure 1.
- C. From square pole installation kit, ML5621, take the nut plate, the two (2) lock washers and the two (2) ½" bolts. Line up the three (3) punched out knockouts in the die casting with the three (3) holes at the top of the pole. Holding the nut plate inside the pole, insert one bolt through a lock washer, then the top hole and thread it into the nut plate.
- D. Repeat above with other bolt in bottom hole. Tighten bolts securely.
- E. Insert three (3) 18" wires from kit through wire hole, between the two mounting bolts and up through the top of the pole.
- F. Connect white wire to common lead from ballast and black wire to the wire marked with line volts from ballast. Connect green wire to green screw located to right of wire hole.

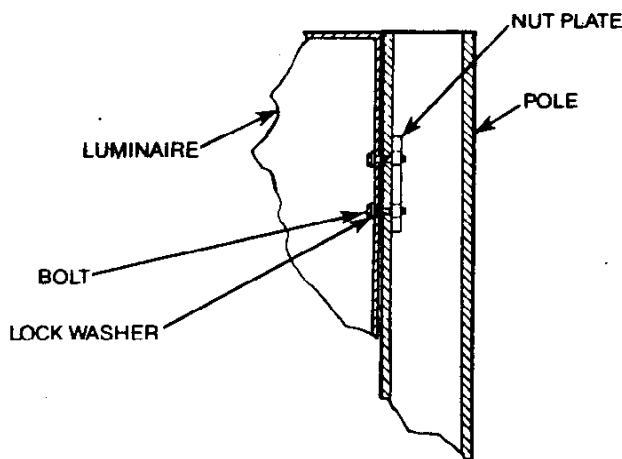


FIGURE 4.

G. Make field connection at top of pole in accordance with applicable codes.

NOTE: In addition to code compliance, it is recommended that all leads be bunched, a drip loop formed (so that water cannot collect at wire connections) and ends be knotted to serve as strain relief for connections.

H. Push leads down into pole, squeeze spring clips of cover slightly and snap cover onto top of pole.

POLE INSTALLATION—on Round Poles—

(See Figure 5.)

- A. Follow steps A and B above.
- B. From round pole installation kit, ML5622, take a nut and thread it approximately 1" onto end of one of two threaded mounting rods and place a lock washer against the nut.

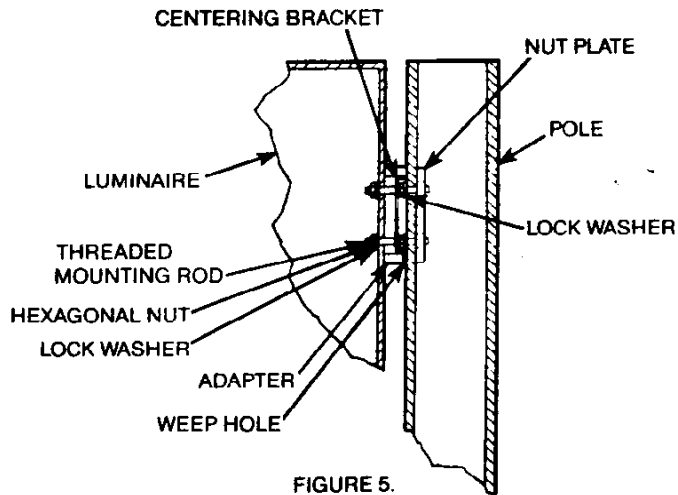


FIGURE 5.

- C. Hold nut plate inside top of pole and thread mounting rod through top hole into nut plate until rod is flush with back side of nut.
- D. Repeat this process with second threaded mounting rod in bottom hole.
- E. Tighten nuts and lock washers against pole.
- F. Place centering bracket over mounting rods with legs of bracket facing pole. Push bracket against pole.
- G. Place adapter section over centering bracket making sure weep hole points toward pole base and is against pole.
- H. Place fixture over mounting rods and secure using two (2) nuts and lock washers.
- I. Complete installation by following steps E through H above for square poles.

MULTI-TAP BALLASTS—Catalog suffix—MT

On luminaires with multi-tap ballast (120, 208, 240, or 277 volts), remove the wire connector from the wire marked with the voltage to be supplied and reuse to make connection to line or remove flag lug and reconnect to tab marked with correct voltage.

NOTE: Do not remove wire connectors from other taps.

MAINTENANCE

WARNING: Turn electrical power supply OFF before starting any maintenance.

CLEANING

1. To ensure continued high efficiency of lighting system, lens and reflectors must be cleaned periodically. Cleaning cycle required will depend on local dirt conditions.
2. Reflectors have been finished by the Alzak process. Its high efficiency can be renewed by cleaning at regular intervals with a mild soap or detergent and water, or a liquid cleaner such as Collinite type NCF or Duco #7. Apply only with a clean, damp, soft cloth.

CAUTION: Do not use abrasive, strong alkaline or acid cleaners.

3. Lens will also retain its high transmittance if cleaned regularly with soap or detergent and water or an approved antistatic cleaner for plastic.

HOW TO INSTALL

WARNING: Be certain that power to field wiring has been turned off before starting installation.

WALL INSTALLATION

The unit is designed to be mounted on a wall using $\frac{3}{8}$ " screws through the die-cast base. It is necessary to partially dismantle the unit for proper mounting.

1. Remove one-piece front cover by easing out molded-in snap catch located at center bottom edge. Hinge up 90° and slide sideways off cast-in hinge pins.

NOTE: Place front cover back in shipping carton until ready to assemble to mounted fixture.

2. Loosen four (4) screws securing reflector assembly and slide sideways off keyholes and lampholder.
3. Punch out four (4) knockouts **A** in back of die-cast base. (See Figure 1.)

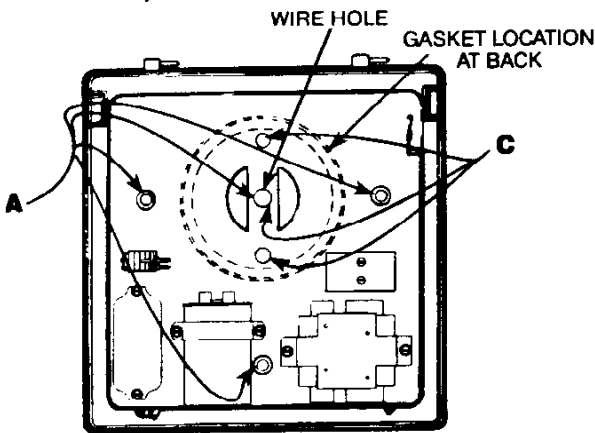


FIGURE 1.

4. Mark three (3) points on the wall at mounting location, using the luminaire base for a pattern.
5. Drill holes for three (3) $\frac{3}{8}$ " lag screws in wooden wall or drill and place anchors in masonry wall. (Lag screws or anchors not furnished.)
6. Peel paper backing from foam ring gasket (included in carton) and affix to rear of die-cast base inside raised ring, as indicated in Figure 1.
7. Secure luminaire to wall with screws and tighten until foam gasket makes good seal with building.
8. Bring field wires including ground (see label on fixture for wire type) through outlet box (provided and recessed into wall by contractor) and into luminaire through wire hole as indicated in Figure 1.

ALTERNATE: An alternative method requiring 75°C field wire would require punching out two (2) moon-shaped knockouts either side of the wire hole and splicing inside the outlet box.

NOTE: 4" octagonal and 4" square outlet boxes may be additionally secured to the luminaire through appropriate knockouts around the wire hole.

9. Connections to field wires and grounding of fixture must be done in accordance with applicable local and national codes and the wiring diagram shown in Figure 2. Attach ground wire to green screw located to the right of the wire hole.

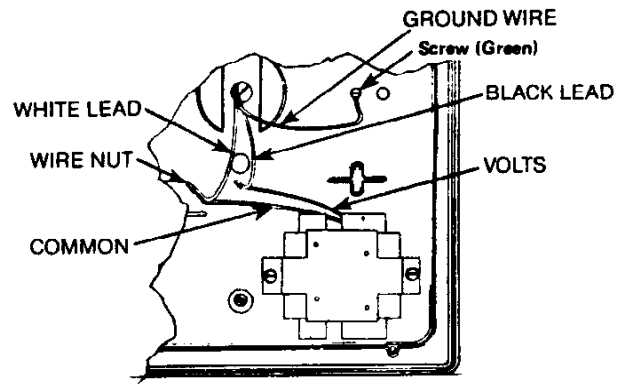


FIGURE 2.

10. Replace reflector and tighten screws.

CAUTION: Be certain that wiring is located behind reflector and no wires are in a position where they may be damaged.

11. Install lamp, as specified on nameplate, making sure lamp is securely tightened.

LAMP DESIGNATIONS FOR WAL LUMINAIRE

Cat. No.	Watts	Type	Ordering No.	ANSI No.
WAL150LHR	150	HPS	LU150/55	S55SC-150
WAL100LHR	100	HPS	LU100	S54SB-100
WAL 70LHR	70	HPS	LU70	S62ME-70
WAL175MHP	175	Super MH	MS175/HOR	M57
WAL175HCW	175	Merc.	H175C39/DX39	H39K
WAL100HCW	100	Merc.	H100A38/DX38	H38J/H

NOTE: Coated lamps may be used for luminaires with prismatic lens but clear lamps should be used for luminaires with clear lens.

12. Replace front cover, holding it in hinged-up position and sliding sideways onto hinge pins. Lower cover and push shut until molded-in catch snaps into locked position.

CAUTION: Be sure cover is completely on hinge pins before lowering cover.

13. Luminaire is ready to be turned on.

WALL INSTALLATION USING SURFACE CONDUIT

If it is intended to use surface-mounted conduit with a wall installation, follow steps 1 and 2 above.

Then punch out five (5) knockouts **B** in side and back of die-cast base. (See Figure 3.)

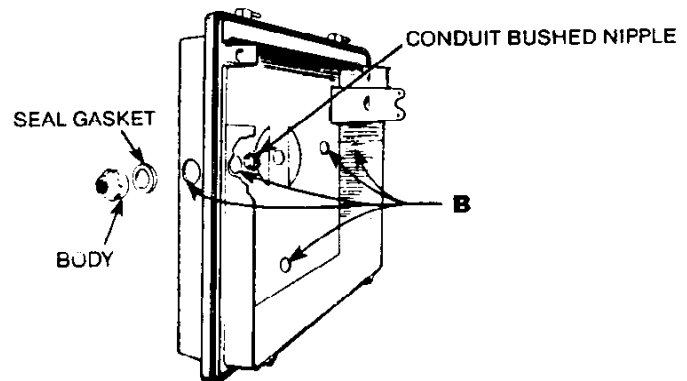


FIGURE 3.



CROUSE-HINDS LIGHTING

INSTALLATION AND MAINTENANCE INSTRUCTIONS

WAL WALL OR POLE MOUNTED AREA LUMINAIRE FOR H.I.D. LAMPS

WAL Luminaires are designed to withstand vandalism, indoors or out, and provide good light control and proper distribution. They may be mounted on a vertical wall or on a square or round pole.

OPTIONS

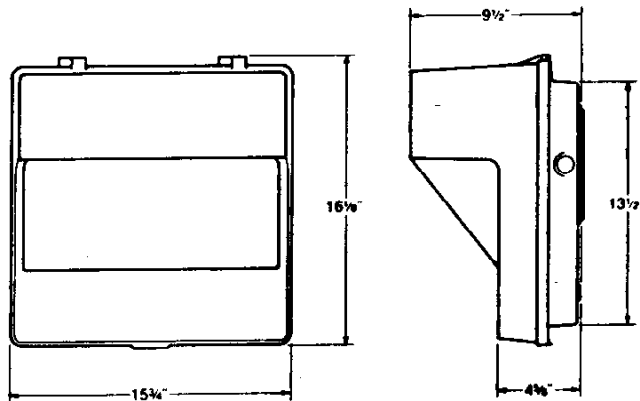
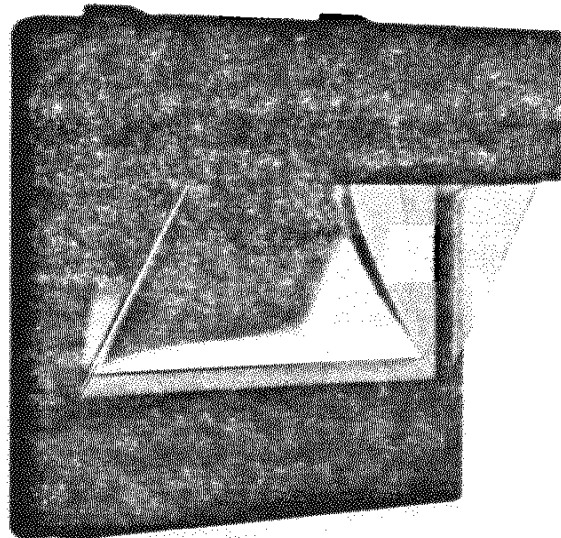
PHOTOCONTROL—Catalog suffix—PH

The photocontrol option is supplied prewired and installed on one side of the die-cast base. The photocontrol should preferably face north (away from the rising or setting sun). It should also face away from any other bright objects (floodlights, etc.).

If it is determined that the photocontrol will not face the desired direction, it may be relocated to the opposite side of the unit by unscrewing the photocontrol mounting nut and remounting on the cast-in bracket on the opposite side. It is not necessary to disconnect the wiring.

IMPORTANT: After deciding on which side the photocontrol will be located, peel off the color matching label from the inside of front cover positioned adjacent to the photocontrol cell.

NOTE: If at any time during installation, use or maintenance, a defect in this equipment is suspected, a Crouse-Hinds representative must be immediately contacted. Any action to use, modify or correct such equipment prior to approval by Crouse-Hinds shall void all warranties, implied or expressed.



WARNING
Make certain power is OFF before starting installation or attempting any maintenance.

RELAMPING

1. Pull down on molded-in catch located at the centre of the bottom edge of the front cover, and hinge up.
2. Locate door support along the left edge of the reflector (Figure 6.) Pull support out and insert end into molded-in hole provided inside front cover at bottom edge of lens.

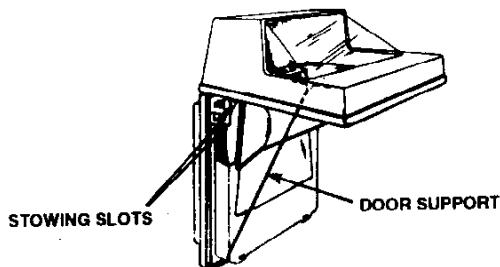


FIGURE 6

3. Replace lamp with type specified on nameplate. Make sure lamp is securely tightened.
4. Lift cover and stow door stay support in slot provided in die-cast base.
5. Lower front cover and push in at bottom until catch snaps over base lip.

ACCESS TO BALLAST AND FUSE (OPTIONAL)

- A. For access to ballast and fuse, follow steps 1 and 2 under Relamping.
- B. Remove lamp and store in safe place.
- C. Loosen four (4) screws securing reflector is held by front cover latch. (See Figure 7.)
- D. Ballast components and optional fuse block are now exposed.
- E. Any ballast component may be removed by disconnecting wire leads and removing two (2) screws.

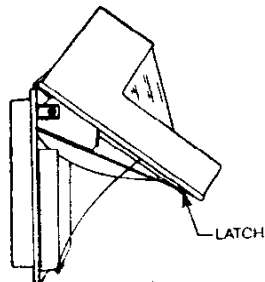
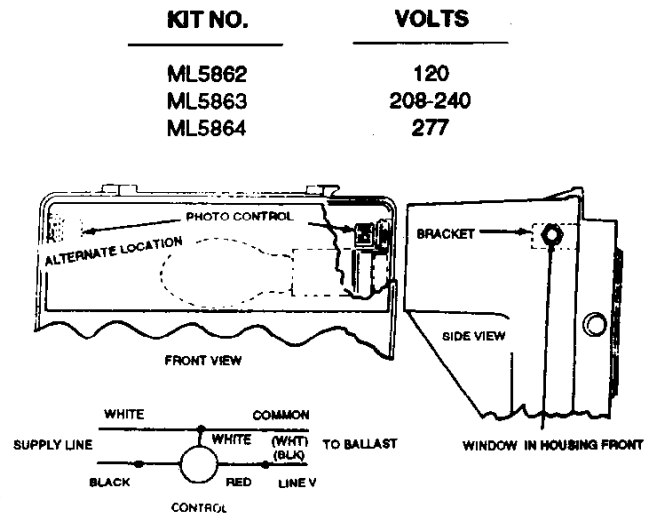


FIGURE 7

THIS INSTRUCTION SHEET SHOULD BE GIVEN TO PERSON RESPONSIBLE FOR SUPERVISING MAINTENANCE OF THIS SYSTEM AND SHOULD BE FILED FOR FUTURE USE.

FIELD-INSTALLED PHOTOCONTROL

The photocontrol is to be mounted in one of the two projecting brackets at the upper sides of the rear housing. The control should preferably face north (away from any bright objects, floodlights, etc.). After mounting it in the 1 1/16" diameter hole, peel off the round piece of tape on the inside of the front housing which covers the corresponding circular window in that housing. Make wire connections as shown.



REPLACEMENT PARTS

Part Description	Part Number
Front Cover - Clear	8445D75H02
Front Cover - Prismatic	8445D75H01
Front Cover - Gasket	5133A61H02
Housing Gasket	5133A62H01
Lampholder-Mercury Vapor & High Pressure Sodium	5130A93G01
Lampholder-Metal Halide (Super Metalarc)	736B458G01
Door Support	5133A61H01
Rear Reflector	8445D70H02
Front Reflector	220C701H01ALD
Ballast	For Ballast replacement, contact your local Cooper Lighting representative. Specify luminaire catalog number.

All statements, technical information and recommendations contained herein are based on information and tests we believe to be reliable. The accuracy or completeness thereof are not guaranteed. In accordance with Cooper Lighting "Terms and Conditions of Sale", and since conditions of use are outside our control, the purchaser should determine the suitability of the product for his intended use and assumes all risk and liability whatsoever in connection herewith.

These instructions do not claim to cover all details or variations in the equipment, procedure or process described, nor to provide directions for meeting every possible contingency during installation, operation or maintenance. When additional information is desired to satisfy a problem not covered sufficiently for user purpose, please contact your nearest Cooper Lighting representative.